

RESERVE COPY PATENT SPECIFICATION

361,959

Convention Date (Germany) : June 25, 1930.

Application Date (in United Kingdom) : Aug. 26, 1930. No. 25,460 / 30.

Complete Accepted : Nov. 26, 1931.

COMPLETE SPECIFICATION.



Improvements in or relating to Pocket Lighters.

We, MARTIN GRÜNSTEIN and LOUIS MÜLLER, trading as MÜLLER & GRÜNSTEIN, ELGERSBURGER FEUERZEUGFABRIK, of Elgersburg (Thuringia), Germany, both Citizens of the German State, do hereby declare the nature of this invention and in what manner the same is to be performed, to be particularly described and ascertained in and by the following statement:—

The invention relates to pocket lighters, especially pyrophoric lighters provided with a driving wheel which moves the friction wheel. The object of the invention is to actuate the friction wheel by a horizontal movement of the finger—that is to say, a movement along the upper edge of the fuel container and thus to render the operation easier than has been the case with the known lighters with horizontally disposed friction wheel or driving wheel. Another object of the invention is to make it unnecessary for the finger to come into contact with the friction wheel, without sacrificing the advantages of operating by a horizontal movement of the finger. At the same time the wick tube is arranged in a manner facilitating the use of the lighter.

According to the invention the pocket lighter is provided with a vertically disposed friction wheel and a horizontally disposed driving wheel.

According to the invention, moreover, the friction wheel and the driving wheel are connected by bevel pinion gearing.

According to the invention, also, the friction wheel and the bevel pinion co-axial therewith are partly covered by the side walls of the bracket supporting their spindle and by the arm carrying the extinguisher cap when the latter is in the closed position.

One construction of the lighter according to the invention is illustrated in the accompanying drawing.

Figure 1 is a side elevation of the lighter, with raised wick cap, the side wall being partially cut away.

Figure 2 is a corresponding end elevation, and

Figure 3 is a corresponding plan.

In carrying the invention into effect
[Price 1/-]

according to the construction represented in the accompanying drawings, on the upper side of the fuel container 1 there is mounted a pedestal 2 with a bearing 3 in which turns the arm 5 bearing the extinguisher cap 4. There is also provided on the upper side of the container a double-sided bracket 6 open at the top and serving to support a vertically disposed friction wheel 7 together with its co-axial bevel pinion. The flint is pressed against the friction wheel 7 by the spring 8 which is enclosed within a tube 9 and abuts against a closing screw 10 which at the same time serves to regulate the compression of the spring. An upright spindle, mounted in a lateral projection 11 on the casing 1, carries a driving wheel 12 which is connected to or integral with the bevel pinion 13. This pinion 13 gears with the bevel pinion 14 which is co-axial with and is connected to or integral with the friction wheel 7. The wick tube 15, through which the wick 16 is drawn, is disposed in front of the friction wheel 7. The container 1 is filled through a hole on the under side, closed by a screw plug 17.

In the construction illustrated it will be observed that the bracket 6 is substantially of a U-shape and that the sides, in conjunction with the arm 5 bearing the extinguisher cap 4, serve to cover to a considerable degree the friction wheel and its co-axial bevel pinion when the arm 5 is set in the closed position.

The invention is not limited to the details of construction of the lighter hereinbefore described and illustrated and may thus be applied to other forms of lighter.

Having now particularly described and ascertained the nature of our said invention and in what manner the same is to be performed, we declare that what we claim is:—

1. A pocket lighter, characterised by a vertically disposed friction wheel and a horizontally disposed driving wheel.

2. A pocket lighter according to claim 1, characterised in that the friction wheel and the driving wheel are connected through bevel pinion gearing.

3. A pocket lighter according to claim

55

60

65

70

75

80

85

90

95

100

105

2, characterised in that the friction wheel and the bevel pinion co-axial therewith are covered by the side walls of the supporting bracket and the arm carrying the extinguisher cap when the latter is in the closed position.

4. A pocket lighter, substantially as

hereinbefore described with reference to the accompanying drawings.

Dated this 26th day of August, 1930.

EDWARD EVANS & Co.,
27, Chancery Lane, London, W.C.2,
Agents for the Applicants.

Redhill: Printed for His Majesty's Stationery Office, by Love & Malcomson, Ltd.—1931.

[This Drawing is a reproduction of the Original on a reduced scale.]

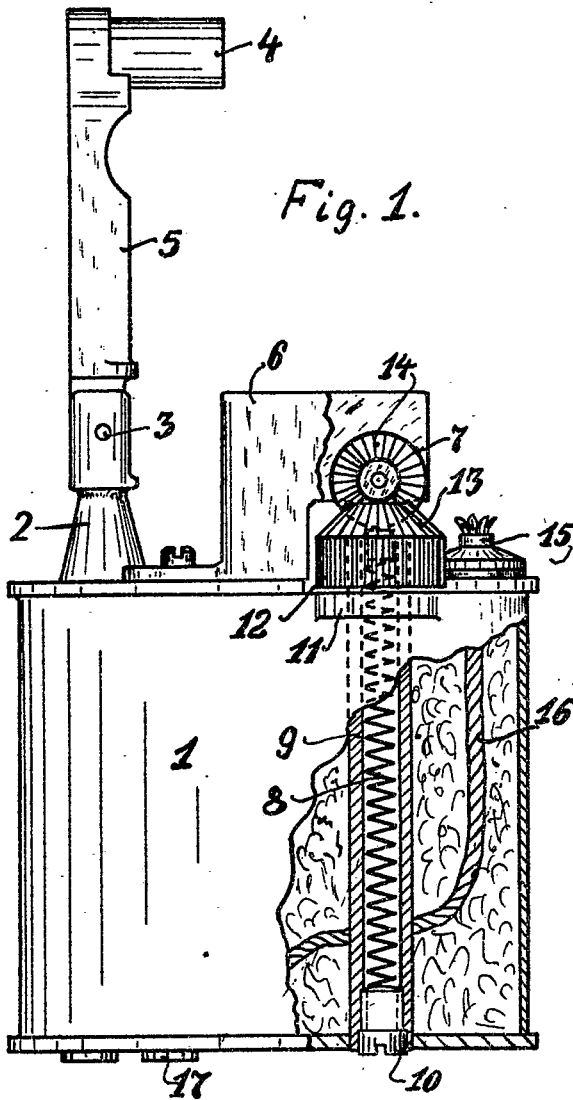


Fig. 1.

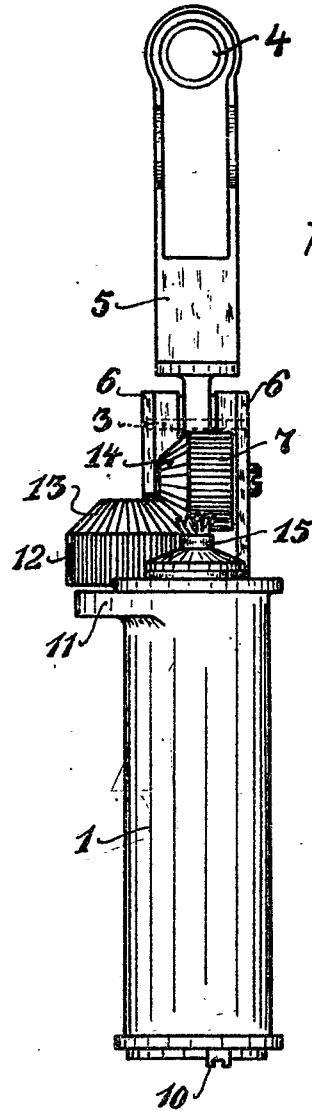


Fig. 2.

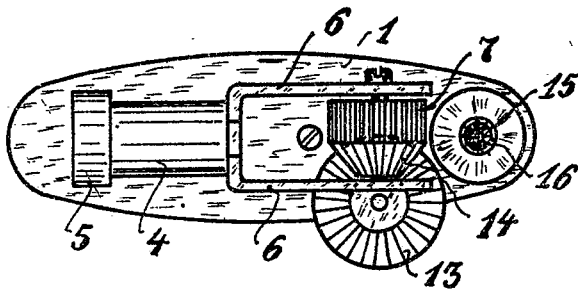


Fig. 3.